

# BLUE OX<sup>®</sup>

## Safety Cables

### Installation Instructions

#### For Coiled Safety Cable Kits

#### IMPORTANT:

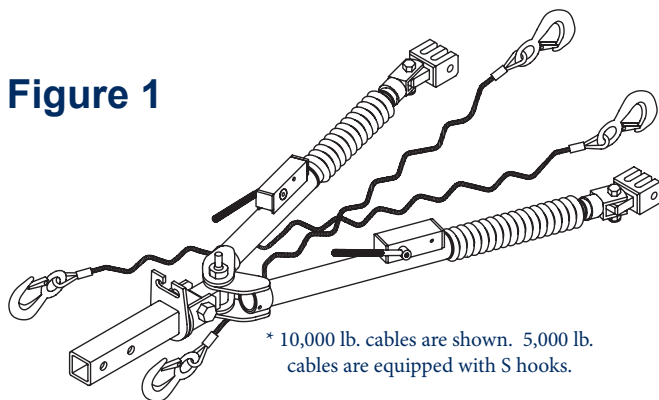
Safety cables, chains, or equivalent devices are specifically required by state and federal law when towing a vehicle using a tow bar. The principal function of the safety cables is to prevent the towed vehicle from breaking loose in the event the tow bar fails or becomes disconnected. The cables must be connected vehicle to vehicle (**DO NOT** hook vehicle to tow bar). The two separate cables must be set in a crossing pattern so that, if the tow bar fails or becomes disconnected, the tow bar will not drop to the ground. The illustrations show the arrangement recommended by Blue Ox<sup>®</sup> to comply with the law. Each safety cable must have an adequate weight rating for the towing system. The weight rating of the two cables together will not qualify. In order to eliminate wrapping you may take the cables from underneath the receiver and pull directly up (do **NOT** uncross the safety cables) looping them into the storage pin slot. This will also prevent damage to the cables in the instance of bottoming out while going over a dip or driveway.

#### REMEMBER:

1. To prevent the vehicle from breaking loose.
2. To keep the tow bar from hitting the ground.
3. To restrain movement.
4. To minimize instability while bringing both vehicles to rest.

*Attach the safety cables to a solid part of the chassis of each vehicle. Avoid using the hitch assembly, tow bar, baseplate, or bracket. This may not be convenient on modern unibody cars with no chassis in the traditional sense. In these cases, the suggested procedure in the illustration is best. (See Figure 2)*

**Figure 1**



#### CONTENTS:

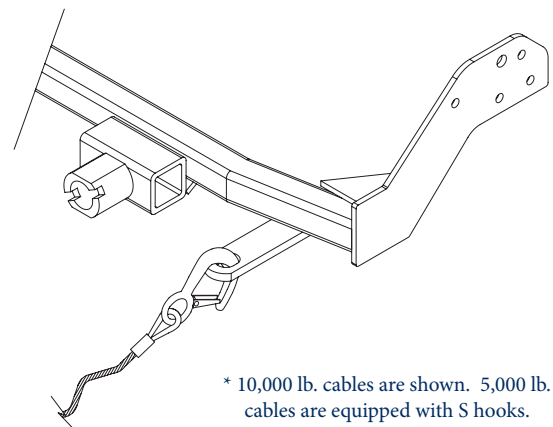
**Safety Cables are sold in pairs.**

To determine the contents of your package, locate the part number in the list below.

Part #	Qty.	Description
*BX88196	2	7ft. Coiled Safety Cables (5,000lbs)
*BX88197	2	7ft Coiled Safety Cables (10,000lbs)
150-0041	4	Rubber Keepers for Safety Cables

\*Includes 4 Rubber Keepers for Safety Cables (150-0041).

**Figure 2**



#### WARNING:

##### USE ONLY GENUINE FACTORY REPLACEMENT PARTS.

Do **NOT** substitute homemade or non-typical parts. This may cause your safety cables to fail and result in injury or death. If repairs of parts or components of your safety cables are needed, you may order them through your nearest Blue Ox<sup>®</sup> Dealer or Distributor, or call our 24/7 Customer Care Team at (402) 385-3051.

*Please turn the page over for Installation Instructions.*

## Installing 5,000lbs Cables

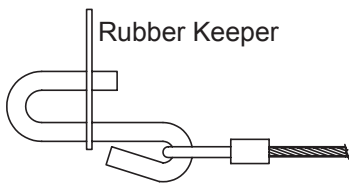
1. Using the cable hooks, attach the opposite ends of the cables to a solid part of the chassis of the towing vehicle. Make sure the end of the hook is through the convenience links to prevent the hook from unhooking. (See Figure 3)

*Note: It is best to have permanent chains that connect the convenience link to the frame of the car. (See Figure 2)*

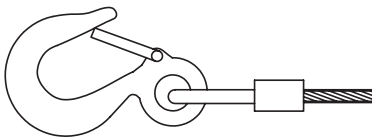
2. Using the cable hooks, attach the cables to a solid part of the chassis of the towed vehicle or to the baseplate convenience links on unibody cars. Slip the end of the hook through the neoprene keeper to prevent the hook from unhooking. (See Figure 3)
3. Adjust slack so that the cables cannot touch the ground or become caught beneath the coupler area. If either of these things happen, the cables may become damaged and ineffective.

**DO NOT USE DAMAGED SAFETY CABLES.**

**Figure 3**



**Figure 4**



## Installing 10,000lbs Cables

1. Cross the safety cables underneath the tow bar. Then using the cable hooks, attach the opposite ends of the cables to a solid part of the chassis of the towing vehicle. Make sure the end of the hook snaps through the convenience links to prevent the hook from unhooking. (See Figure 4)

*Note: It is best to have permanent chains that connect the convenience link to the frame of the car. (See Figure 2)*

2. Using the cable hooks, attach the cables to a solid part of the chassis of the towed vehicle or to the baseplate convenience links in unibody cars. Snap the hook through the convenience link to prevent the hook from unhooking. (See Figure 4)
4. Adjust slack so that the cables cannot touch the ground or become caught beneath the coupler area. If either of these things happen, the cables may become damaged and ineffective.

**DO NOT USE DAMAGED SAFETY CABLES.**

## Customer Service Commitment

Blue Ox® is focused on providing exemplary customer service, as observed in our mission statement and guiding principles. In accordance with this objective, Blue Ox® is proud to provide services such as repairs and general maintenance of Blue Ox® products at over 150 RV Rallies. Look for our Destination America or Blue Ox® Racing service crews at the next rally or race that you attend. If you were not present, you will find an informative, personalized note explaining any services that may have been performed to your Blue Ox® products.

Blue Ox® also offers educational seminars at rallies and through our Parks and Resort teams. In addition, Blue Ox® customers visiting our factory may take advantage of the well-equipped Blue Ox® RV park at no charge to you, our valued and appreciated customer.



© 2005, 2006 Blue Ox  
One Mill Road, Industrial Park  
Pender, Nebraska 68047  
Phone: (402) 385-3051  
Fax: (402) 385-3360  
www.blueox.us  
292-2570 Revised 6/06